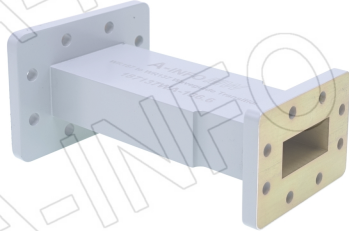


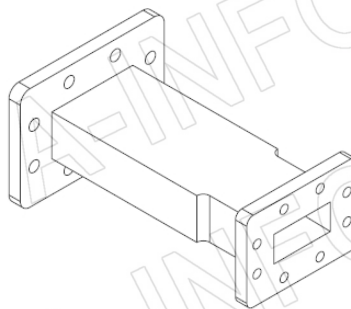
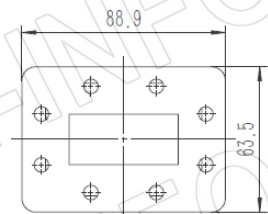
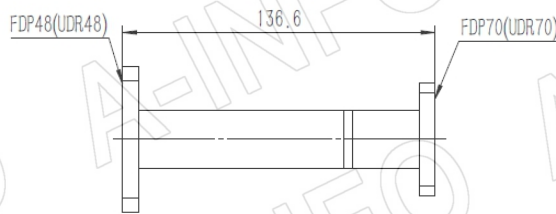
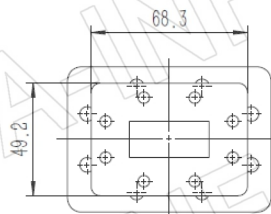
For reference only. See data sheet for the detailed specifications.

Technical Specification

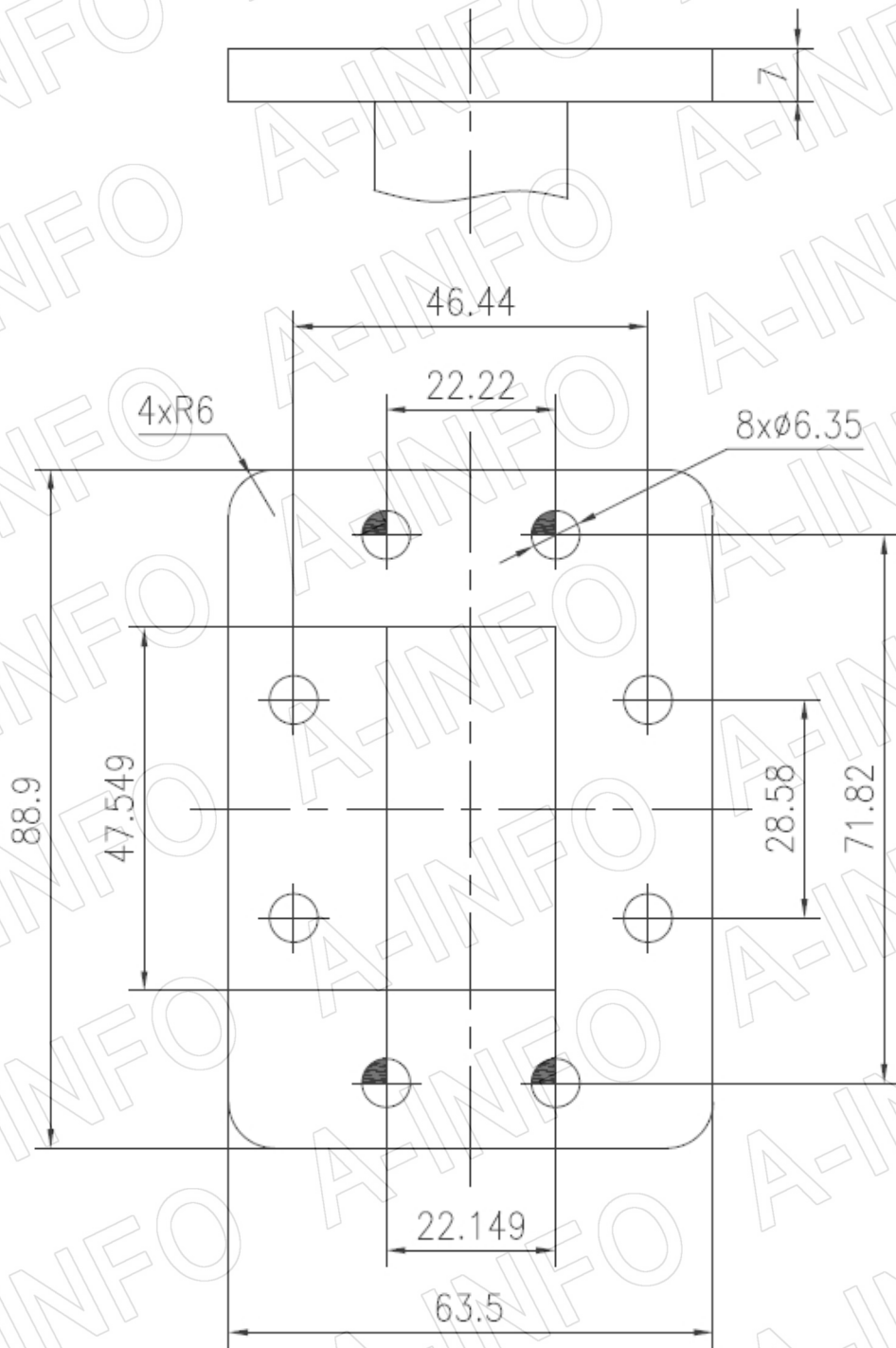


EIA WR to WR	WR187 to WR137
Frequency Range(GHz)	WR187: 3.95-5.85
	WR137: 5.85-8.20
Insertion Loss(dB)	0.05 Max.
VSWR	1.05:1 Max.
WR187 Flange	FDP48(UDR48)
WR137 Flange	FDP70(UDR70)
Material	Al
Size(mm)	136.6 x 88.9 x 63.5
Net Weight(Kg)	0.28 Around

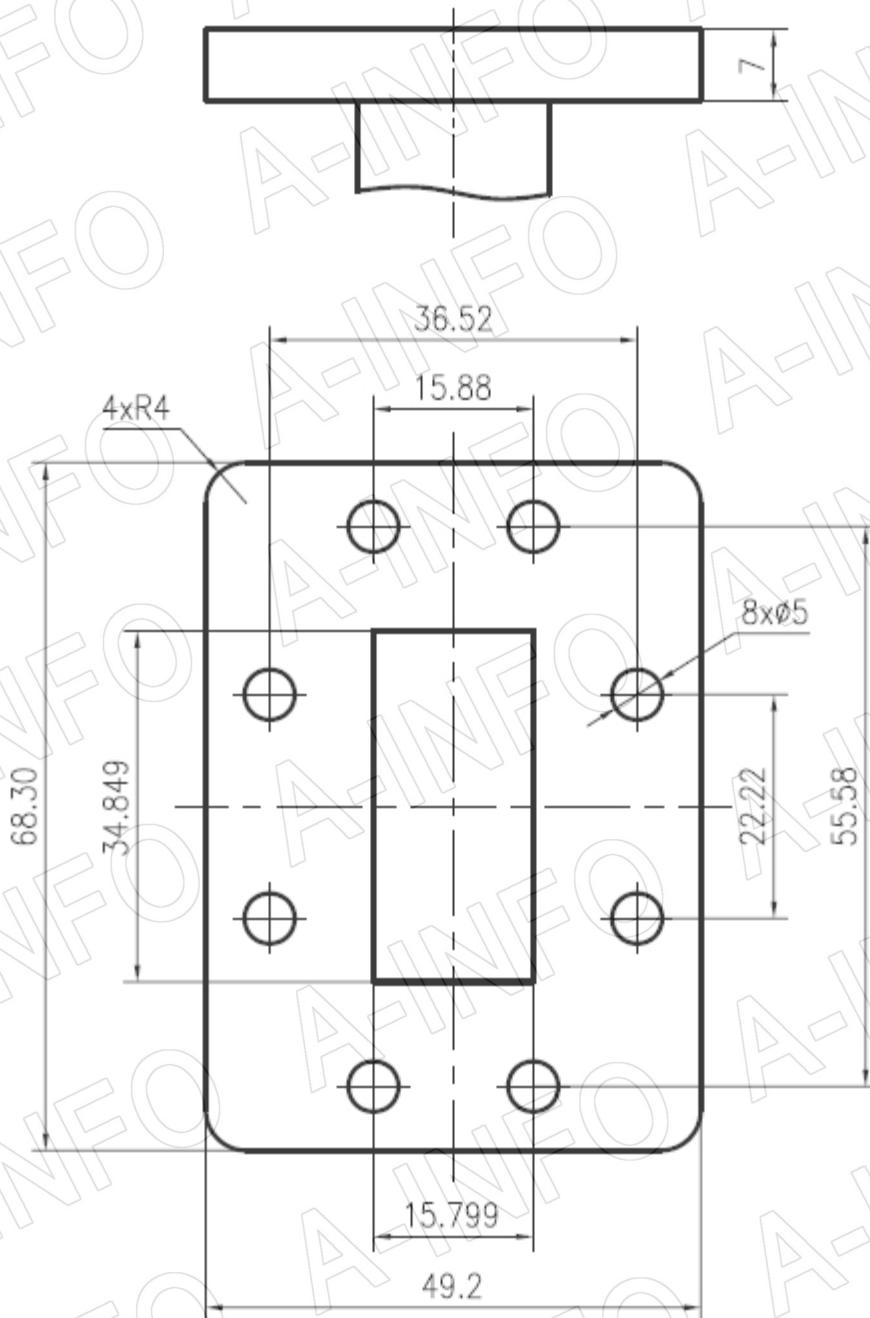
Outline Drawing (Size: mm)



Outline Drawing (Size: mm)



FDP48



FDP70

Test Results

Insertion Loss (Test with two adapters back to back)

AINFO Inc.

Page 3 of 4

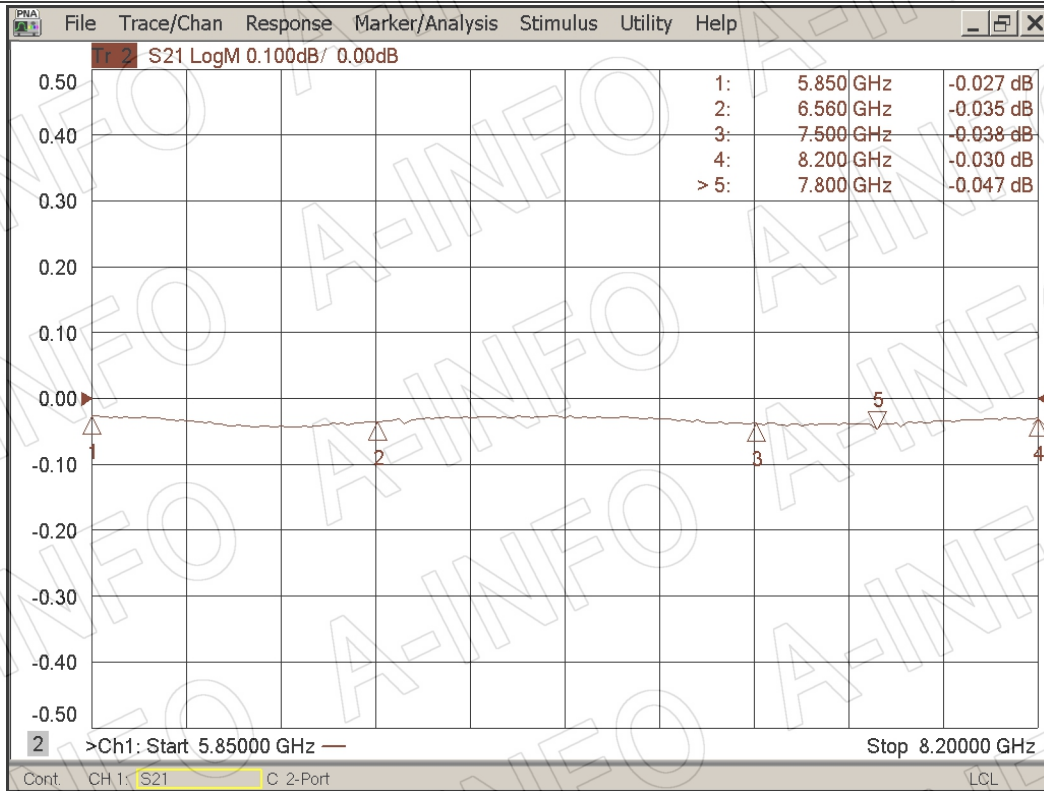
Tel: (+1) 949-639-9688,

(+1) 949-639-9608

Fax: (+1) 949-639-9670

Email: sales@ainfoinc.com

Website: www.ainfoinc.com



VSWR

